



# INDUSTRIAL C ROLLER DOORS

Supplied with planetary geared chain drive, the Steel-Line industrial C roller door is ideal for use in factories, warehouses and commercial applications and suitable for openings up to 5100mm high x 5370mm wide.

---

**Steel-Line's industrial C roller doors combine a unique profile with strength and reliability - nothing else compares!**

## HIGH STRENGTH & SECURITY

Manufactured from the finest quality materials including Bluescope Steel Colorbond® or Zinalume® combined with the unique continuous curtain profile, our industrial C roller door offers unsurpassed strength, security and value for money.

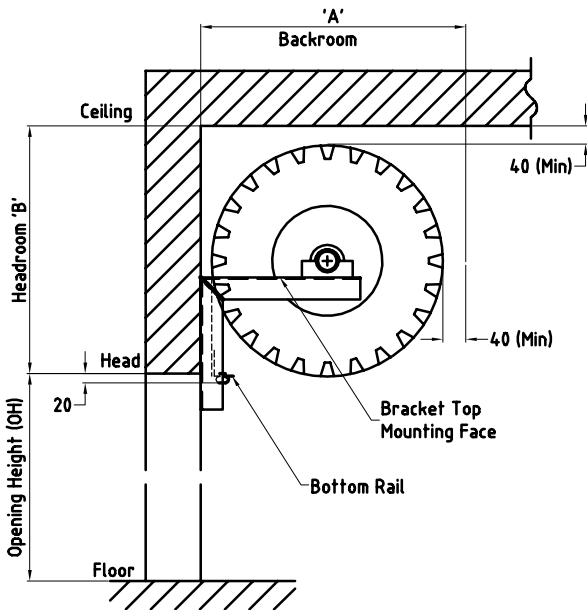
## RELIABILITY

Comprising heavy duty bottom rail with durable PVC weather seal, our industrial C roller door provides your industrial or commercial premises with excellent protection from the harsh elements including wind, rain and dust.

## OPTIONS

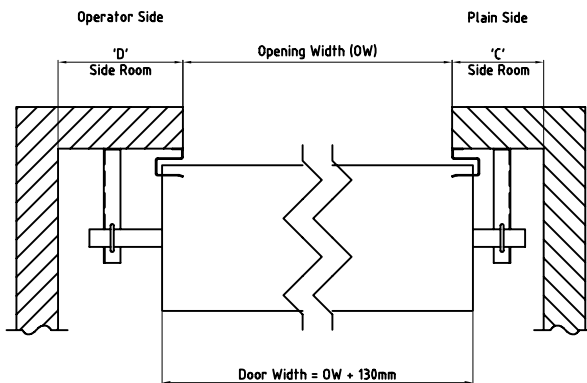
- Sloping Bottom Rail
- Shoot Bolt Locking
- Motorisation

## Elevation View



The structure to which the brackets and tracks are to be mounted must be of sufficient strength to accommodate the loads imposed by the roller door. The surface on which the brackets and tracks are mounted should be extended up above the lintel and be flush with or slightly behind the lintel.

## Planetary Gear Drive Chain Plan View



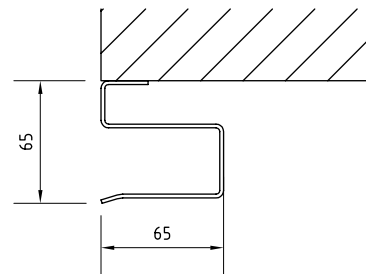
Steel-Line Garage Doors has a continuous program of product development and reserves the right to change specifications at any time without notice.

## Opening Height

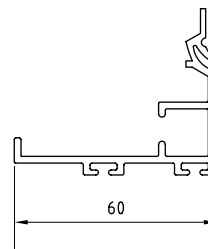
| Opening Height mm | A   | B   | C   | D   |
|-------------------|-----|-----|-----|-----|
| 3300              | 510 | 630 | 125 | 200 |
| 3600              | 510 | 630 | 125 | 200 |
| 4200              | 550 | 630 | 125 | 200 |
| 4800              | 590 | 710 | 125 | 200 |
| 5100              | 590 | 710 | 125 | 200 |

Operator - Planetary Gear Drive Chain unit supplied with all "C" Roller Doors.

## Track Detail

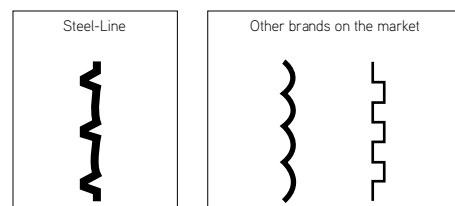


## Bottom Rail Detail



## Strength, by Design

Compare Steel-Line's industrial C roller door with other door brands with weaker curtain profiles.



Proudly distributed by:

MD02-03DS-07ICRD-V6 (0116) Copyright © Steel-Line Garage Door Australia. All rights reserved.