



# OVERDRIVE™

Re-order code: MRC950EVO



OR

**DOOR TYPES:** light commercial rolling garage doors **DOOR SIZE:** up to 25m<sup>2</sup>  
**DOOR TYPES:** light commercial windlocked rolling garage doors **DOOR SIZE:** up to 18m<sup>2</sup>

## Key Benefits



Compliant to Australian and New Zealand Standard AS/NZS 60335-2-95



### Security+2.0

Transmitters communicate on multiple frequencies with encrypted rolling code. This ensures the strongest frequency is selected every time, virtually eliminating interference while providing the highest level of security.



### Up to 75% less energy\*

Advanced technology uses less than 1 watt of power whilst in standby mode, meeting the world's toughest energy standards.



### Quiet and Powerful Motor

The powerful and fast DC motor is quiet and built to last with the strength to open any branded domestic door.



### Improved Transmitter Range

Tested against other products, these transmitters have up to 18% better range which means you can start opening your garage door sooner.



### Soft Start / Stop Function

Designed to ensure smooth and quiet door operation.



### Works even when the power is out

Evercharge® Battery backup system ensures you can always operate your door even when there has been a power failure.



### 2 Year Warranty

Backed by a 2 year / 5,000 cycle warranty\*\* (including wind lock applications) we stand behind our products with an after sales support team that we believe are the best in the industry.

## Standard Merlin Safety Features



### Premium Automatic Safety Reverse

With its automatic safety function your garage door will stop and reverse automatically if obstructed going down or stop going up.



### Automatic Force Sensing

Equipped with automatic force sensing, with each operation the garage door opener monitors and adjusts the force needed to open your garage door.



### Manual Release

In case of power failure you can simply activate the manual release to open your garage door.

\*when compared to other available products \*\* conditions apply

## Kit Contents



1 x Powerhead



Wireless wall button E128M



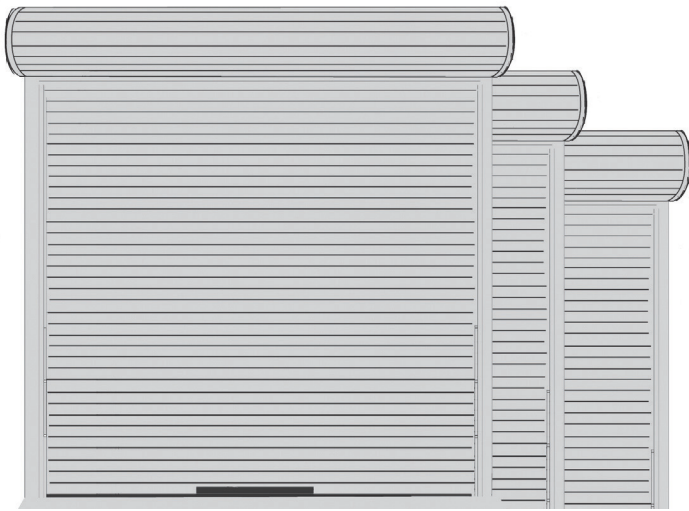
2 x Three channel key ring mini-transmitters E945M



Battery backup unit with quick connect socket E475M-12V

## SPECIFICATIONS

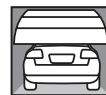
- 12V DC motor with thermal overload protection
- Input voltage: 240V AC
- Rated door area up to 25m<sup>2</sup>
- Drum rotations: 4.5
- Max door weight: up to 250kg
- Max peak pulling force: 1300 N
- Minimum side room 45mm
- 433.30, 434.54, 433.92 MHz AM radio with Security+2.0 encrypted rolling code technology.
- Up to 64 memory registers
- Garage illumination: 12 premium ultrabright LEDs
- Noise rating 1M : 59DB



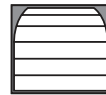
### DOOR SPECIFICATIONS

- Maximum lifting under spring tension = 20kg
- Suitable for steel spring balanced doors

### DOOR OPENING AND CLOSING TIMES



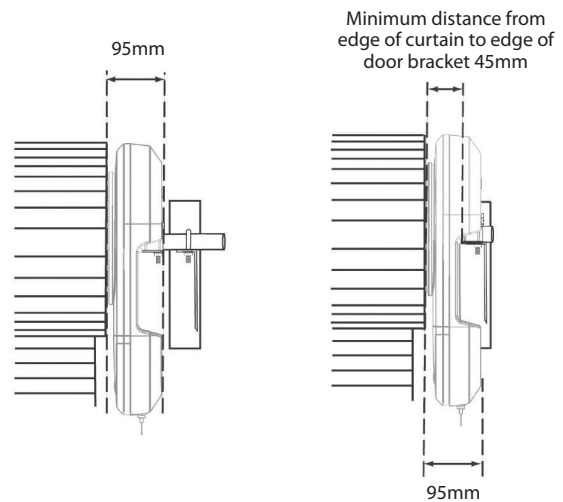
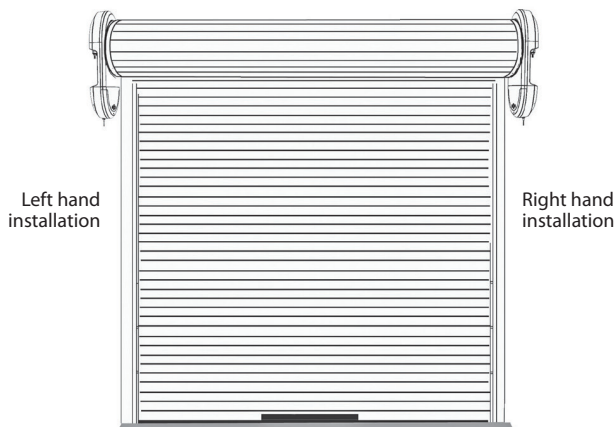
23 seconds



23 seconds  
(based on a 2.3m high door)

Door height: 5.5m, 5.0m, 4.5m Door width: 4.5m, 5.0m, 5.5m  
Single dwelling, max door weight: up to 250kg

### TYPICAL INSTALLATION



### OPTIONAL ACCESSORIES



Premium+ four channel transmitter  
E960M



Wall or visor mounted three channel transmitter  
E943M



Wall or visor mounted single channel transmitter  
E940M



Protector system safety beam sensors  
774ANZ



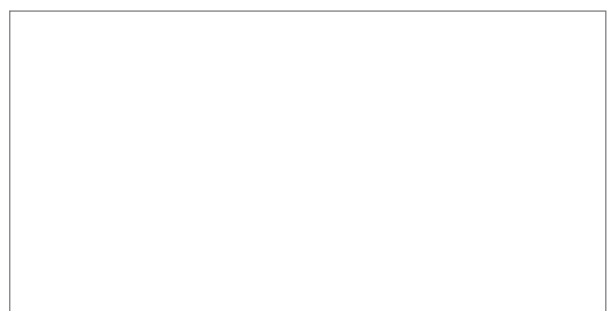
Wireless keypad  
E840M

**CHAMBERLAIN®**

The World's Largest Manufacturer of Garage Door Openers

**Australia** Phone: 1800 638 234 Fax: 1800 888 121 Web: gomerlin.com.au  
**New Zealand** Phone: 0800 653 667 Fax: 0800 653 663 Web: gomerlin.co.nz

™ Trademark of The Chamberlain Group, Inc. ® Registered Trademark of the Chamberlain Group, Inc.  
© 2017 The Chamberlain Group, Inc.





**Fair  
Trading**

# Certificate of Suitability Non-Declared Article

Certificate Number: **CS10526N**

This is to certify that the article specified below is accepted by NSW FAIR TRADING as suitable for connection to public electricity supply in NEW SOUTH WALES in accordance with the provisions of AS/NZS 3000 and subject to the conditions stated.

<b>Issued to:</b>	Chamberlain Australia Pty Ltd		
<b>Article:</b>	Drives for garage doors for residential use (Electrical garage door opener, intended to control single garage door, housed in thermoplastic and metal enclosure, Class I.)		
<b>Trade Name or Mark:</b>	Merlin		
<b>Ratings:</b>	<b>Volts:</b> 230-240Vac <b>Watts:</b> 110W	<b>Amperes:</b> <b>Hertz:</b> 50 Hz	<b>Other Name Plate Particulars:</b>
<b>Type Reference Code:</b>	MRC950EVO		
<b>Examined for Compliance With:</b>	AS/NZS 60335.2.95:2012		
<b>Nominated Marking:</b>	CS10526N or approved alternate mark		
<b>Date of Approval:</b>	09/07/2015		
<b>Approval Expires:</b>	09/07/2020 unless suspended, cancelled, renewed or extended		

**Conditions:**

1. This certification will be withdrawn automatically if an article of this type is declared pursuant to the Electricity (Consumer Safety) Act, 2004.
2. This certificate is issued subject to the article and approved variations being maintained at the standard of the article examined at the time of approval.



On behalf of the Commissioner for Fair Trading

For current information regarding currency of certificate, refer to the Fair Trading Website